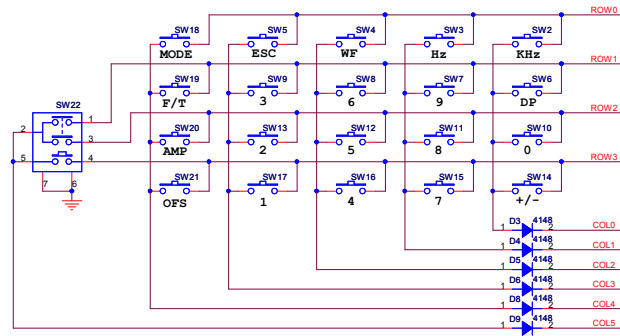
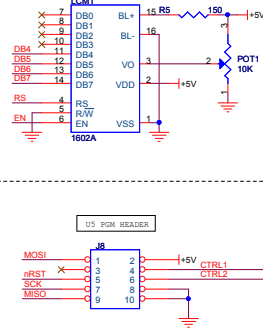


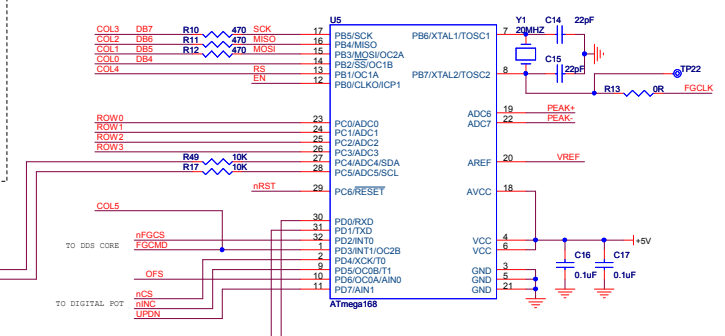
KEY PAD



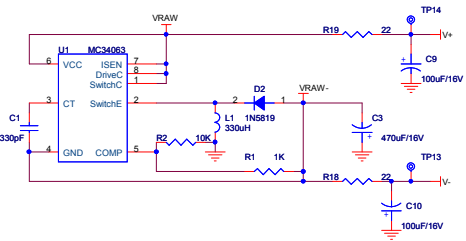
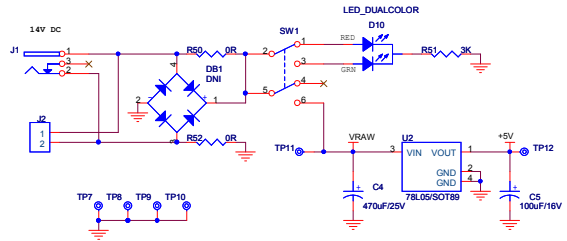
LCD



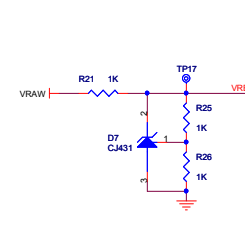
CONTROLLER



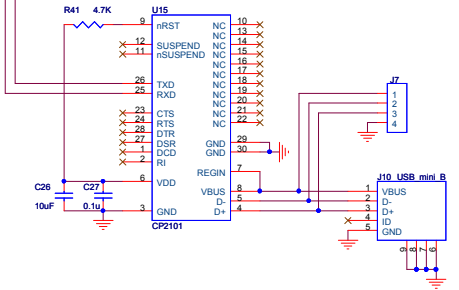
POWER SUPPLY



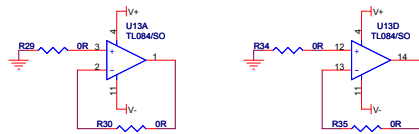
VREF



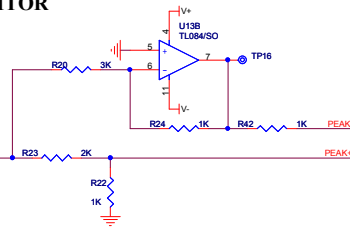
USB IF



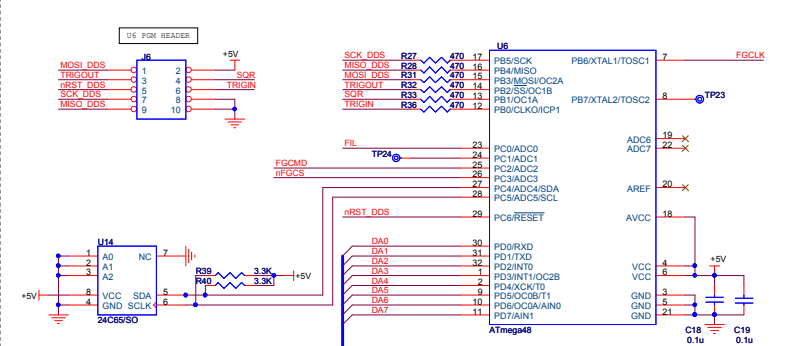
SPARE OPAMPs



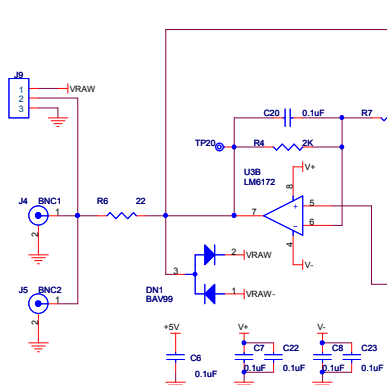
OUTPUT MONITOR



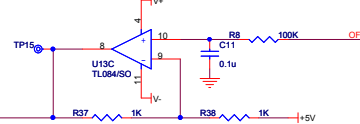
DDS CORE



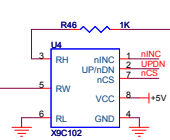
OUTPUT DRIVER



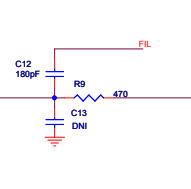
OFFSET GEN.



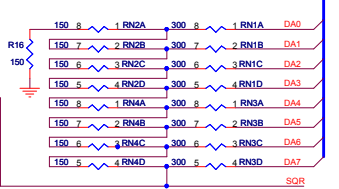
AMP. ADJUSTMENT BUFFER



LPF



DAC



miniDDS FUNC. GEN. v.085F-01

- NOTES:**
- "DNI" = DO NOT INSTALL
 - COMPONENT VALUES ARE DICTATED BY BOM
 - ALL RELATED DOCUMENTS ARE AVAILABLE AT WWW.JYETECH.COM

